

Shown with standard LX whirlpool system (silver upgrade package). Also available as an air tub or soaker

This model is not recommended for a shower configuration.

## GENERAL SPECIFICATIONS:

Tube Size:	59"x59"x20.75"
Bathing Well:	Length: 48" top / 27.5" bottom Width: 46" top / 27" bottom Depth at overflow: 15.5"
Average Fill:	65 gal to account for body
Maximum Fill:	90 gal to overflow
Electrical Requirement:	1-20 amp/115 GFCI outlet

All LX tubs are manufactured with 0.125" 100% acrylic, the thickest in the industry. Pre-leveled and framed to make installation quicker and easier. Tub is freestanding and requires no additional framing or costly installation labor. Bathtub bases are made with a solid wood base and structural foam that provides support, reduces noise, and insulates.

## LX SKU KEY:

LX6060-2SWH

Color: White Biscuit | Bone

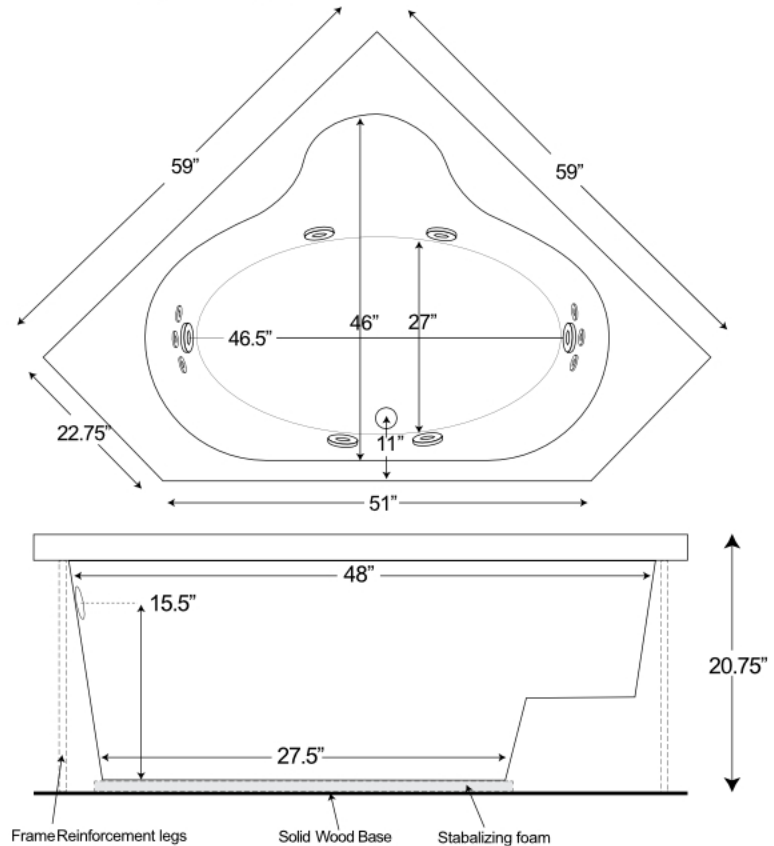
Model #: Soaker | Whirlpool | Air

\*Please specify left or right hand drain and motor placement

LHD - Left Hand Drain

RHD - Right Hand Drain

LHM - Left Hand Motor



**INSTALLATION:** Height measurement is inclusive of wood and foam framing. All measurements are +/- 1/2" and are subject to change without notice. Drawing shows recommended pump location as well as approximate location of frame reinforcement legs. Please measure tub before building deck. Data herein supercedes all previous data prior to date shown below.

**TUBZZ**

GO WITH THE FLOW

www.TUBZZ.com

support@tubzz.com